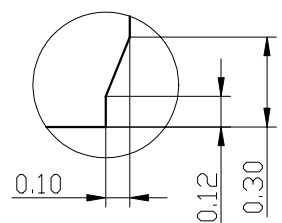
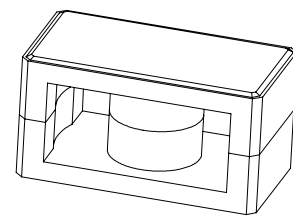
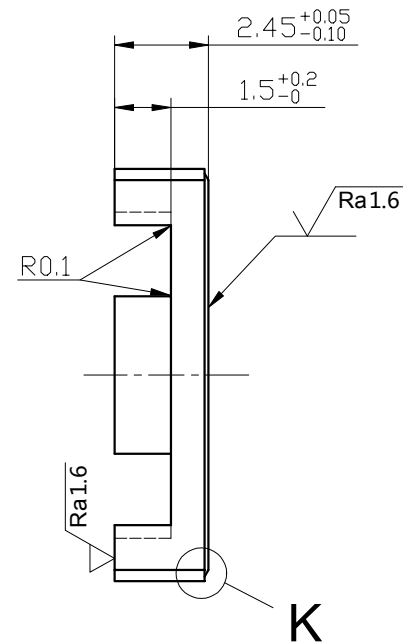
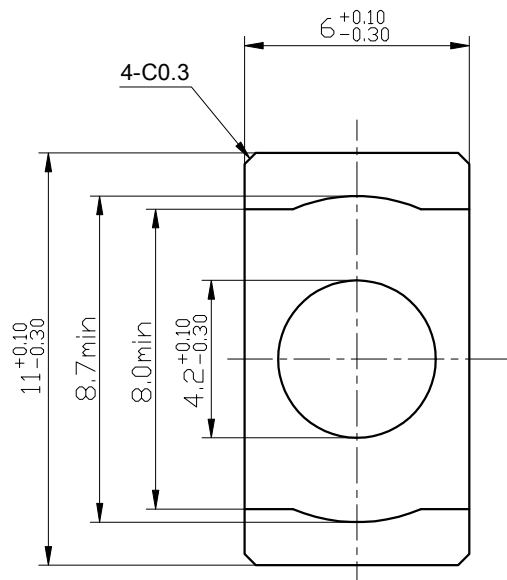


REVISION HISTORY

Rev	DESCRIPTION	DATE	APPROVED



Detail K

	Scale	5: 1	Material	Customer Part number	
	Unit:	mm		ER11/2.5/6 set	
	Standard tolerances	±0.1	Product Name		
	EER-11A			Rev	Drawing No.
Approved by	Created by	Document type	Rev	Drawing No.	
Y.Higuchi	H.Huang	Production drawing	00	PY170707M02	
Hitachi Metals (Hong kong) Ltd. Panyu Factory			Date of issue	Sheet	
			Jul 07 2017	1/1	